

<https://www.halvorsen.blog>



Fuji PXG5 Autotuning Simulator

Hans-Petter Halvorsen

Fuji PXG5 PID Controller



Autotuning and Fuji PID Controller

- Part 1: Autotuning using Real Fuji PID Controller
- Part 2: Autotuning using “Autotuning Simulator”

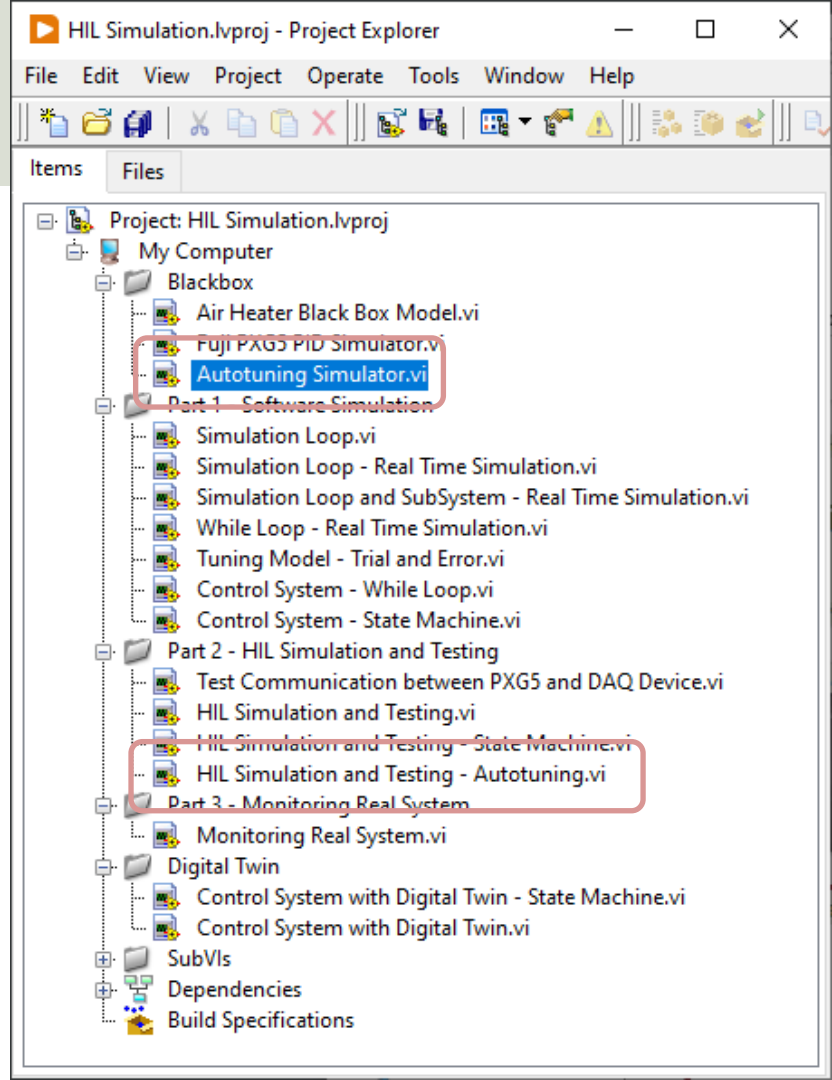
<https://www.halvorsen.blog>



Fuji PXG5 Autotuning Simulator

Hans-Petter Halvorsen

LabVIEW



Autotuning Simulator

The screenshot shows the Fuji PXG5 PID Autotuning simulator interface. The window title is "Fuji PXG5 PID Autotuning". The menu bar includes File, Edit, View, Project, Operate, Tools, Window, and Help. The interface is divided into two main panels: "Fuji PXG5 PID Simulator" and "Autotuning Features".

Fuji PXG5 PID Simulator

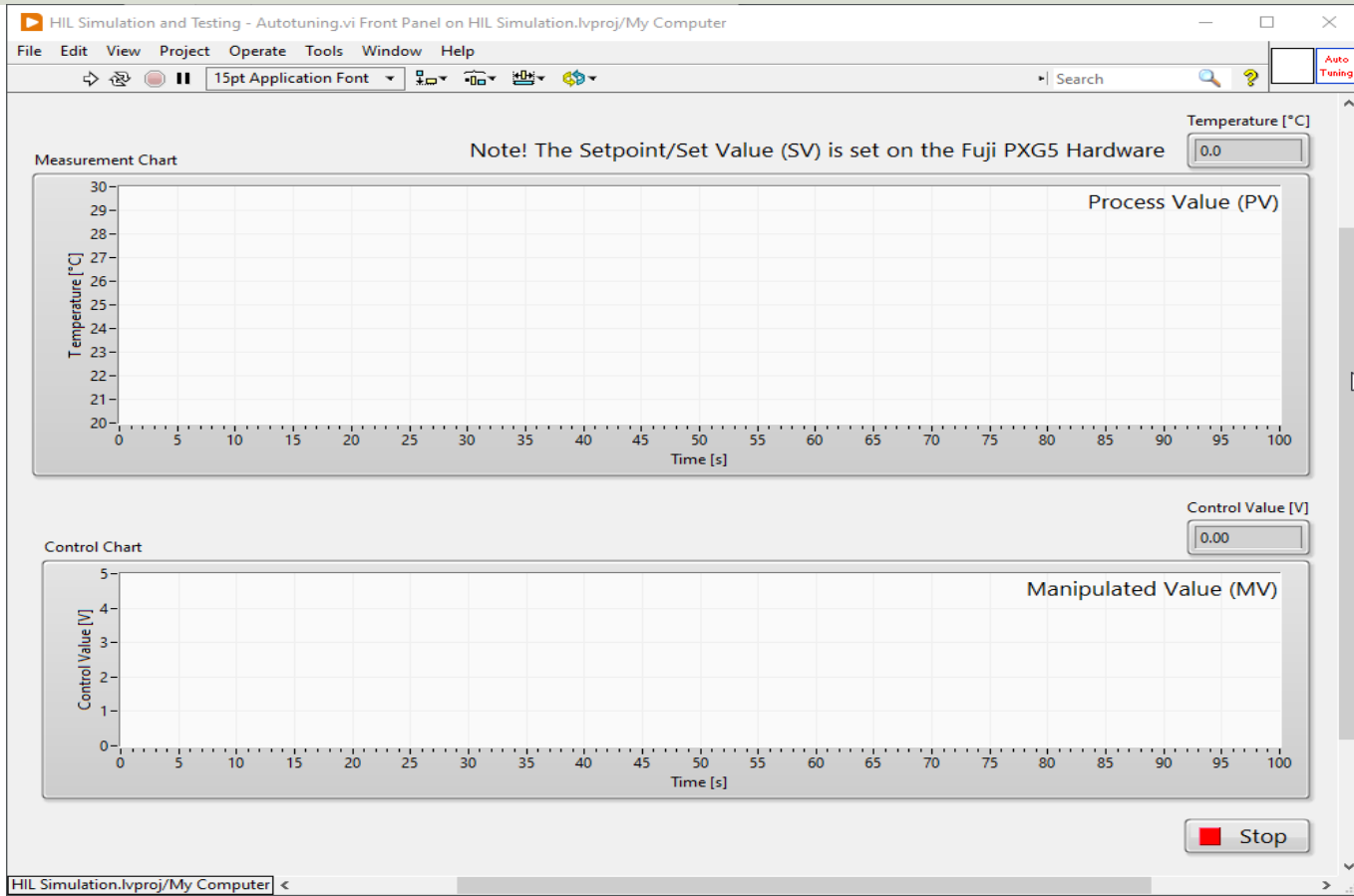
- PV [°C]: 25.0 (20-50°C)
- SV [°C]: 22.0 (20-50°C)
- MV [V]: 11.47 (0-5V)
- P [%]: 40.0
- I [s]: 10.0
- D [s]: 0.0
- Kp: 2.50

Autotuning Features

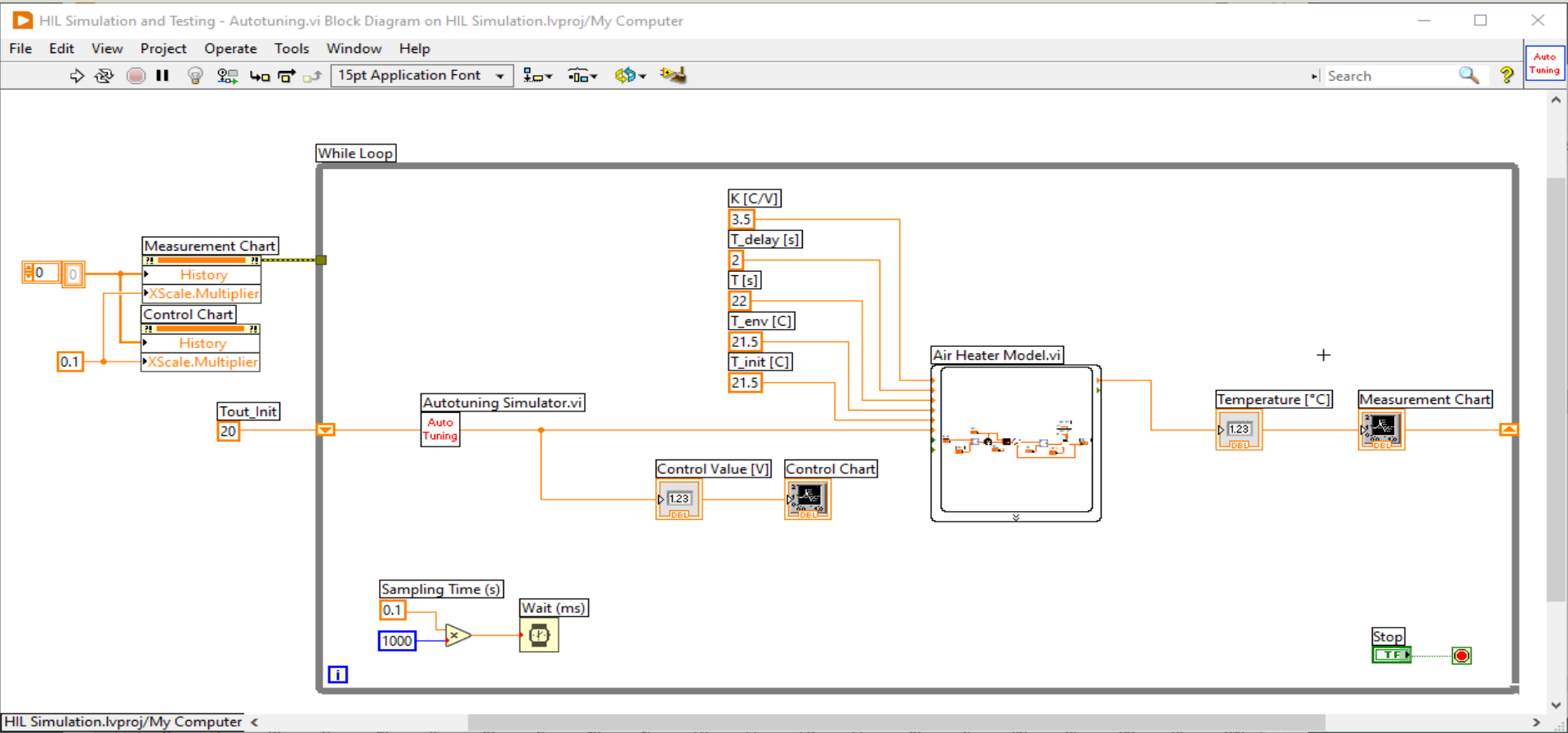
- Controller Type: PI
- Start Autotuning:
- Autotuning Finished:
- P [%] (Autotuning): NaN
- I [s] (Autotuning): NaN
- D [s] (Autotuning): NaN
- Use PID Parameters:

The interface also includes a toolbar with navigation icons and a status bar with an "Auto Tuning" indicator.

Example



Example



Hans-Petter Halvorsen

University of South-Eastern Norway

www.usn.no

E-mail: hans.p.halvorsen@usn.no

Web: <https://www.halvorsen.blog>

